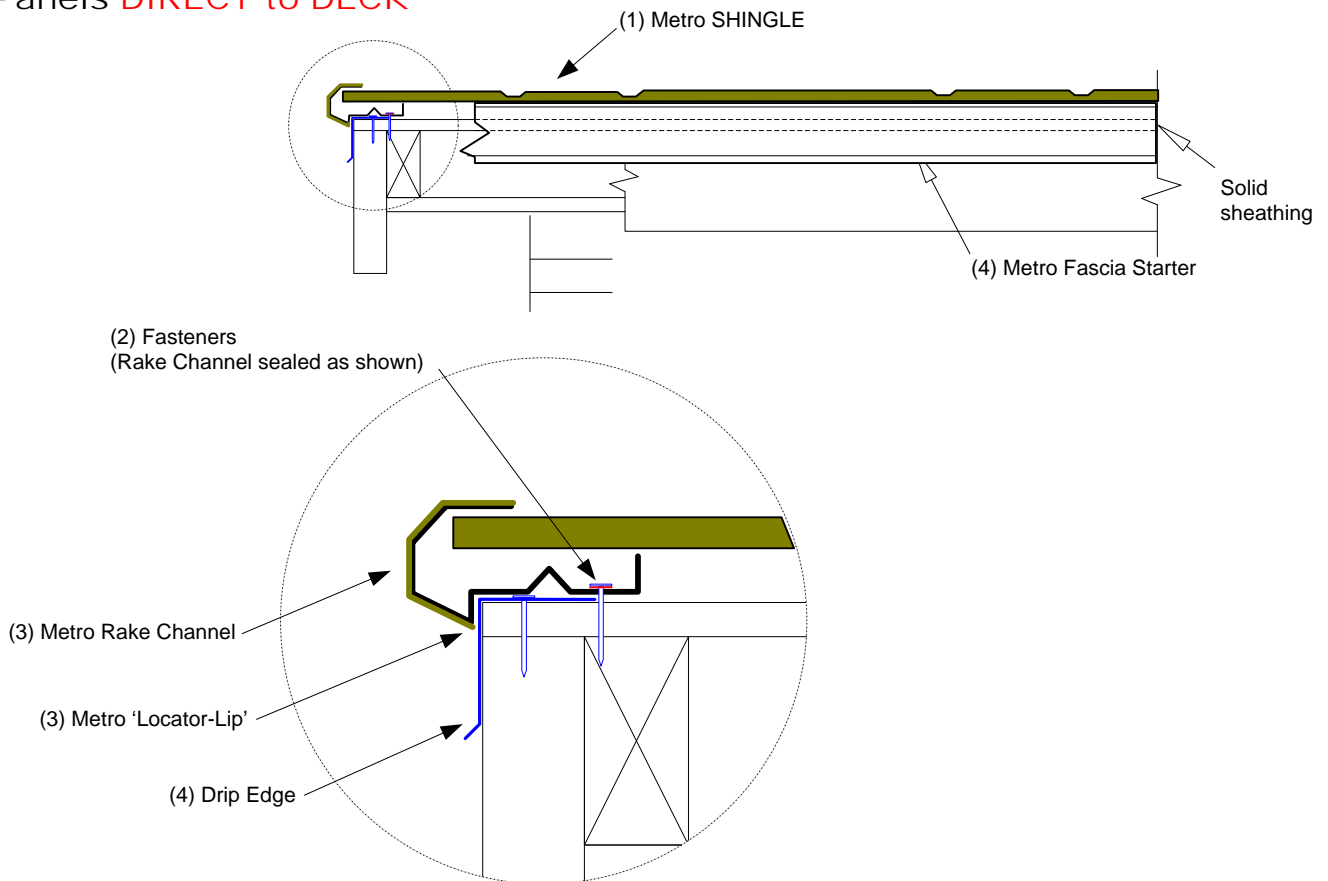


# RAKE Detail

## Metro SHINGLE RAKE CHANNEL (*CONCEALED Fastened Panel* - MetroSHINGLE®)

Panels **DIRECT** to DECK



### GENERAL:

Metro Rake Channels are designed to be used in conjunction with a painted Drip Edge as shown and eliminate the use of Trim Caps down the rake-gable area of a roof.

### (1) METRO PANEL

MetroSHINGLE® panel is shown in the detail above, application of the Rake Channel is the same for all profiles.

### (2) FASTENERS

All fasteners shall be a min of 1,000-hr Salt Spray corrosion resistant to ASTM-B-117.  
 Nails - 8-d (2-3/8" X .131" dia) Ring Shank w/Super Black coating.  
 Screws - #10 X 2" Hex Head (No washer) sharp pt. wood grip type colored to match panel.  
 When fastening the Rake Channel it is recommended to seal the fastener as indicated.

### (3) RAKE CHANNEL

All Metro Rake Channels incorporate a unique "Locator-Lip" ledge for easy location against the Drip Edge metal as shown.

### (4) Metro FLASHINGS

Metro Drip Edge is always used with a Rake Channel and if MetroSHINGLE® is used a Fascia Starter metal is installed across the fascia as shown to lock the first course of shingle onto.



FILENAME

003CO-SHINGLE-RAKE-GABLE-DETAIL-RAKE-CHANNEL.VSD

DATE

3-13-06

REVISED

9/26/2014

**Metro Roof Products**  
 3093 'A' Industry St., Oceanside  
 CA USA 92054  
[www.metroroofs.com](http://www.metroroofs.com)