

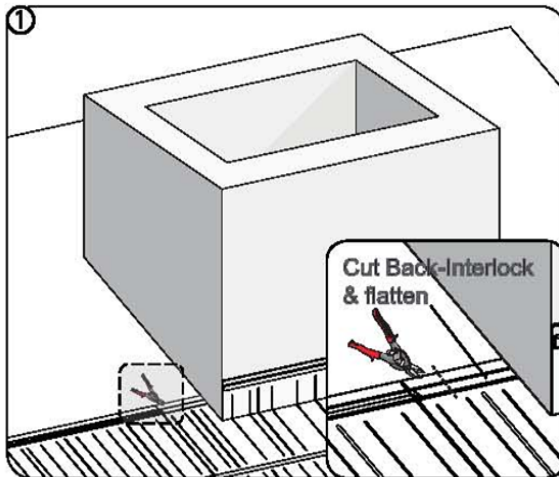
CHIMNEY – SKYLIGHT Flashing

Metro Sidewall Underpan & Saddle Flashing

(**CONCEALED Fastened Panel** - MetroSHINGLE®)

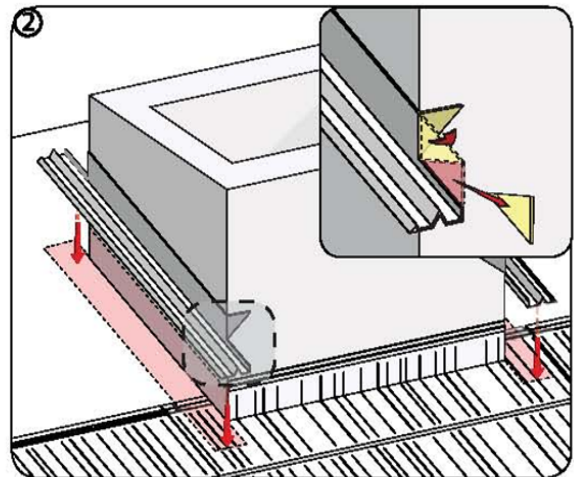
Panels **DIRECT** to DECK

Installation with Side-Wall Under-pan.



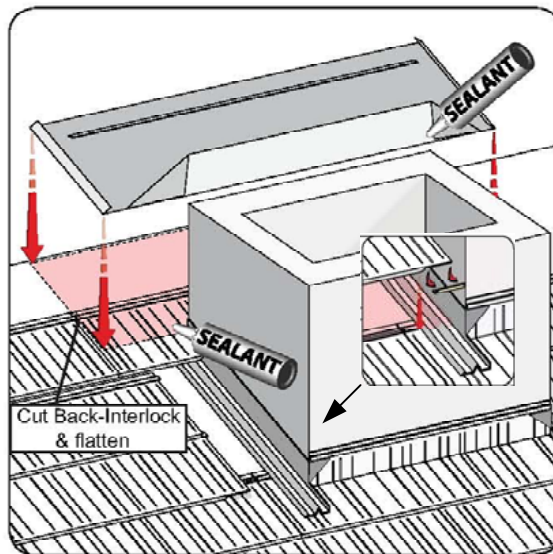
Measure, cut & fold up the panels across the front of the penetration being flashed.

Measure 2" past each side and 6" past the top side for overall path of Side-Wall Underpan.

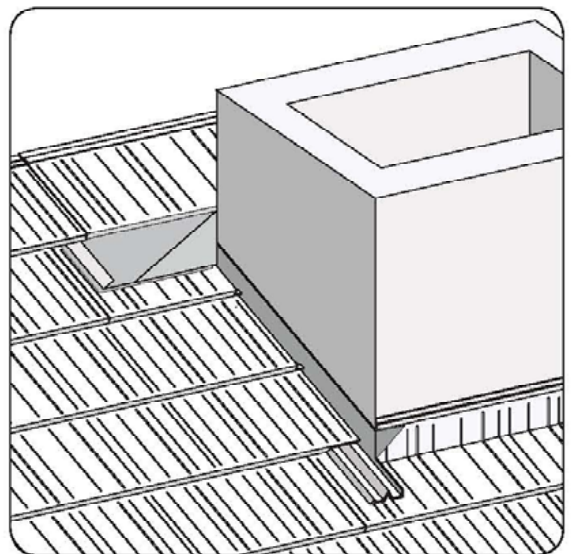


Notch & bend Side-Wall Under-Pan as shown, and install Side-Wall Under-pan below existing counter-flashing.

Alternatively, new Z-bar and Side-Wall Under-Pan can be installed.



Apply a bead of sealant, set the Metro Short-Course Cleat, & fasten through sealant.



A completed and flashed square cornered penetration is shown. The Chimney Saddle Flashing is shown properly hemmed.

FILENAME

006CO-SHINGLE-CHIMNEY-SKYLIGHT-FLASHING.VSD

DATE

3-13-06

REVISED

9/26/2014

Metro Roof Products
 3093 'A' Industry St., Oceanside
 CA USA 92054
www.metroroofs.com