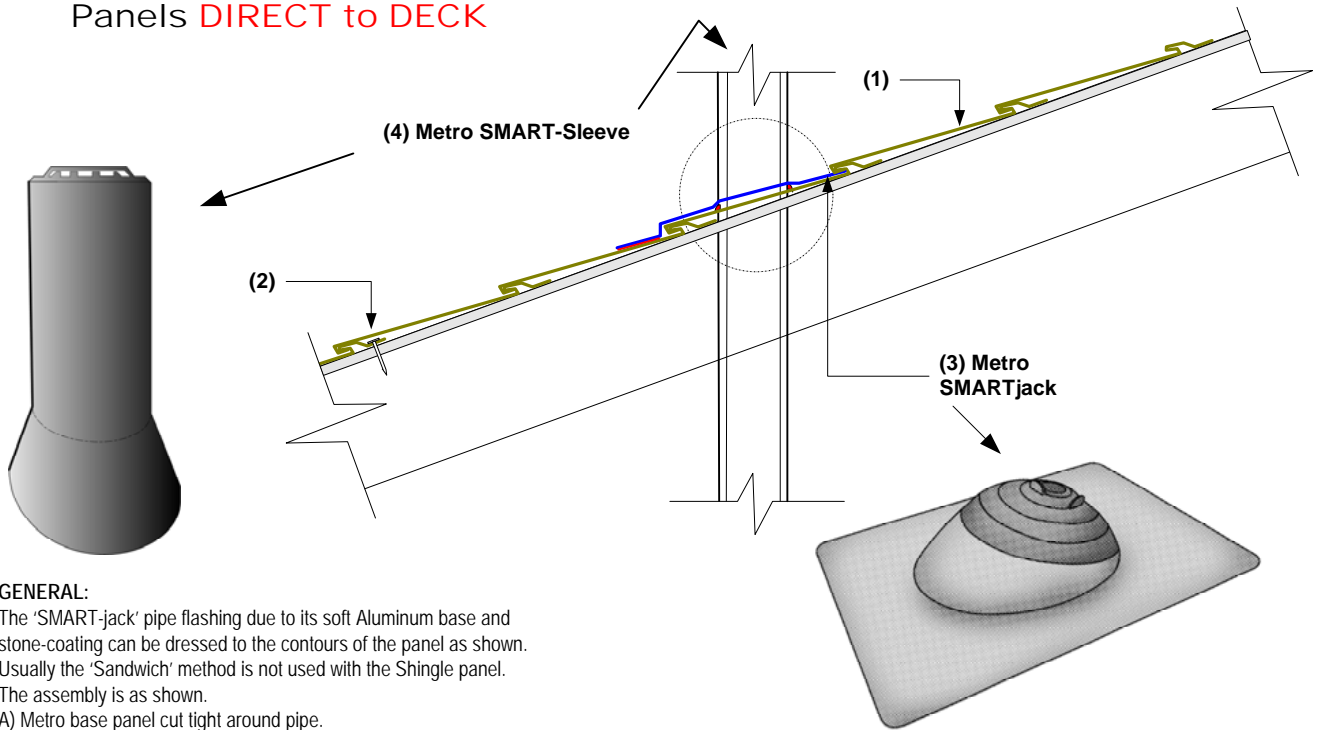


VENT PIPE Detail

Metro SMART-Jack & SMART-Sleeve Flashings (CONCEALED Fastened Panel - MetroSHINGLE®)

Panels **DIRECT** to DECK



GENERAL:

The 'SMART-jack' pipe flashing due to its soft Aluminum base and stone-coating can be dressed to the contours of the panel as shown. Usually the 'Sandwich' method is not used with the Shingle panel. The assembly is as shown.

- A) Metro base panel cut tight around pipe.
- B) Apply a bead of sealant down either side of the pipe hole.
- C) Seal the Metro SMART-jack over pipe and into sealant, then dress SMART-jack to panel contours.

(1) PANELS

Metro Stone-Coated Steel (Galvalume® AZ-50 Steel base) panels and accessories.

(2) FASTENERS:

All fasteners shall be a min of 1,000-hr Salt Spray corrosion resistant to ASTM-B-117.

Nails – 8-d (2-3/8" X .131" dia) Ring Shank w/Super Black coating.
Screws - #10 X 2" Hex Head (No washer) sharp pt. wood grip type colored to match panel.

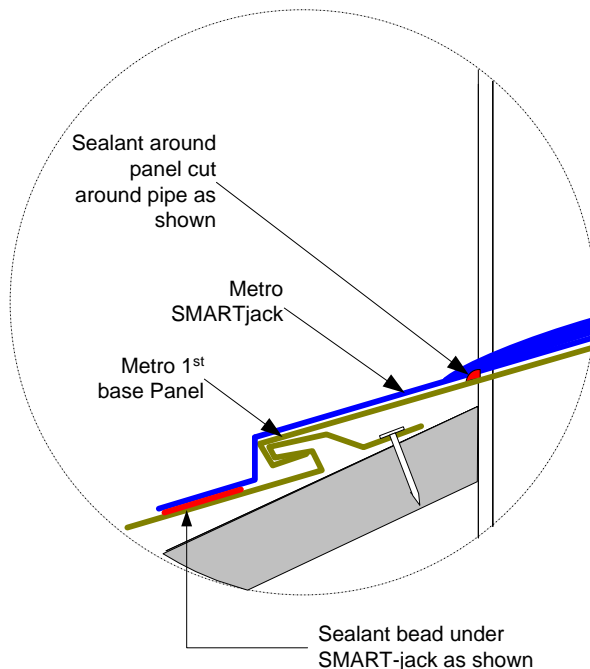
(3) METRO SMART-jack:

Available in two (2) sizes to fit pipes from 1-1/4" - 4" inch dia. SMART-jacks incorporate a self-sealing rubber gasket collar that eliminates the need for sealant. The entire SMART-jack is stone-coated to blend perfectly with the surrounding Metro panels.

(4) METRO SMART-Sleeve:

Fits pipes from 1-4-inch dia.

WARNING! *DISSIMILAR METALS – COPPER & LEAD flashings should not be used with Metro Roof Products and accessories. (Refer to Metro SMARTbrief Technical Bulletin #02004).*



FILENAME

007CO-SHINGLE-VENT-PIPE-FLASHING-METRO SMART-JACK-AND-SLEEVE.VSD

DATE

9-21-06

REVISED

9/26/2014

Metro Roof Products
3093 'A' Industry St., Oceanside
CA USA 92054
www.metroroofs.com