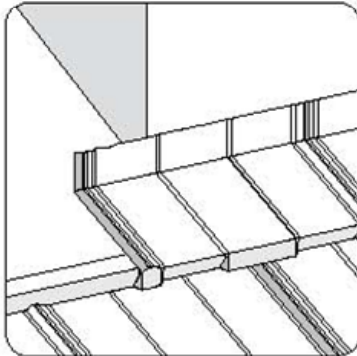


# CHIMNEY – SKYLIGHT Detail

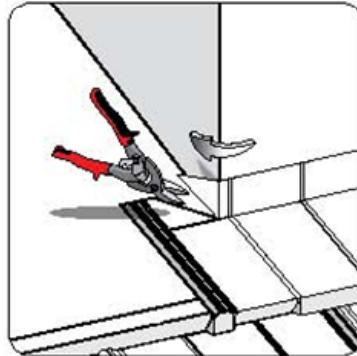
**(EXPOSED Fastened Panels - MetroSHAKE®, MetroTILE®, MetroROMAN® & MetroCOTTAGE™ Shingle)**

Panels **DIRECT** to DECK

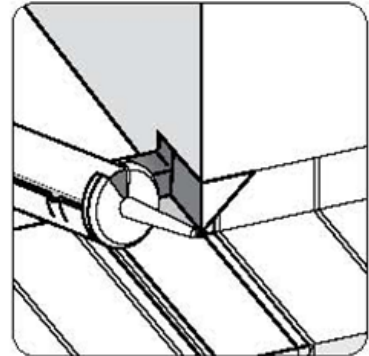
The following details apply to any square cornered protrusion through roof.



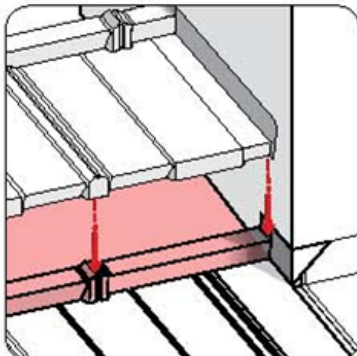
Measure, cut, and fold up panel 2" from the back of the panel to the front of protrusion.



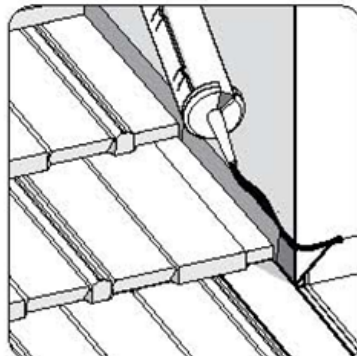
Cut a 45 degree angle as shown and fold tabs around protrusion.



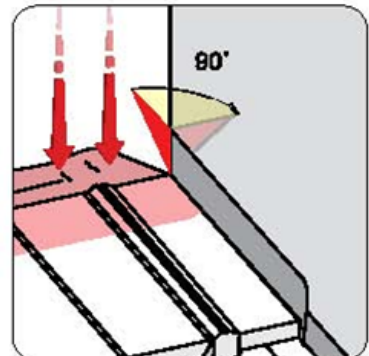
Cut and fold up panels 2" at sides of protrusion.



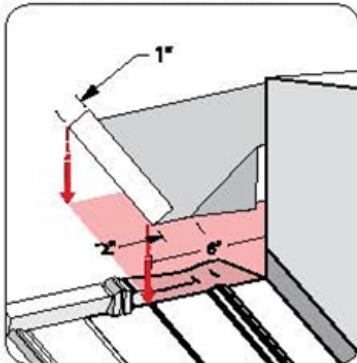
Install subsequent panels with a 2" bend up against the protrusion.



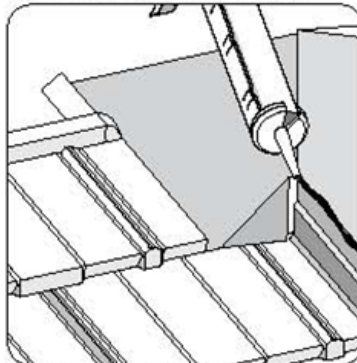
Seal around perimeter of folded panels prior to fastening to the protrusion.



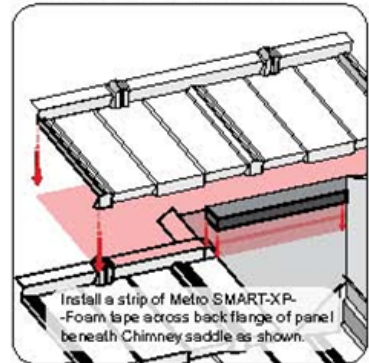
Flatten the back flange of the panel intersecting the top of the protrusion.



Install chimney saddle metal at back of chimney as shown. Extend Saddle metal a minimum of 4" past each side of protrusion.



Install and seal 'Z'-bar flashing metal over folded sections as shown.



Install a strip of Metro SMART-XP-Foam tape across back flange of panel beneath Chimney saddle as shown.

For added protection install a foam weather block under the panel overlapping the saddle.

FILENAME

007EX-CHIMNEY-SKYLIGHT.VSD

DATE

3-13-06

REVISED

9/26/2014

**Metro Roof Products**  
3093 'A' Industry St., Oceanside  
CA USA 92054  
[www.metroroofs.com](http://www.metroroofs.com)