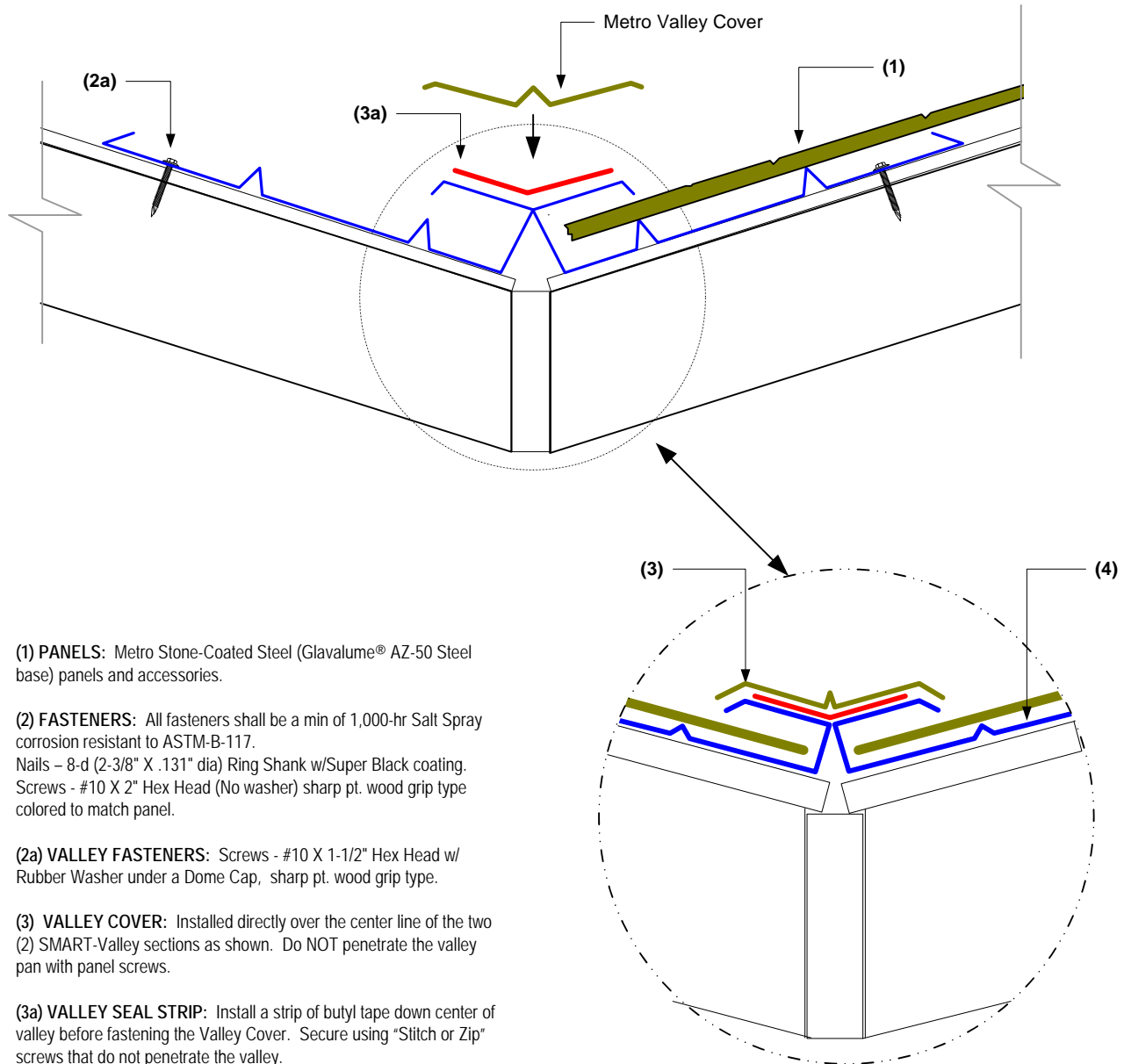


VALLEY Detail

Metro SMART-Valley 2-pc w/Valley Cover

(CONCEALED Fastened Panels - MetroSHINGLE®)

Panels **DIRECT** to DECK



(1) PANELS: Metro Stone-Coated Steel (Galvalume® AZ-50 Steel base) panels and accessories.

(2) FASTENERS: All fasteners shall be a min of 1,000-hr Salt Spray corrosion resistant to ASTM-B-117.
Nails – 8-d (2-3/8" X .131" dia) Ring Shank w/Super Black coating.
Screws - #10 X 2" Hex Head (No washer) sharp pt. wood grip type colored to match panel.

(2a) VALLEY FASTENERS: Screws - #10 X 1-1/2" Hex Head w/ Rubber Washer under a Dome Cap, sharp pt. wood grip type.

(3) VALLEY COVER: Installed directly over the center line of the two (2) SMART-Valley sections as shown. Do NOT penetrate the valley pan with panel screws.

(3a) VALLEY SEAL STRIP: Install a strip of butyl tape down center of valley before fastening the Valley Cover. Secure using "Stitch or Zip" screws that do not penetrate the valley.

(4) SMART-Valley METAL: 18" Inch Double V SMART-Valley uses 2-pcs to form an 18-inch wide valley and 1-pc of stone-coated valley cover as shown above.

FILENAME	
008CO-SHINGLE-VALLEY-SMART-2-PC-VALLEY-W-VALEY-CVR.VSD	
DATE	REVISED
9-21-06	9/26/2014

Metro Roof Products
3093 'A' Industry St., Oceanside
CA USA 92054
www.metroroofs.com