

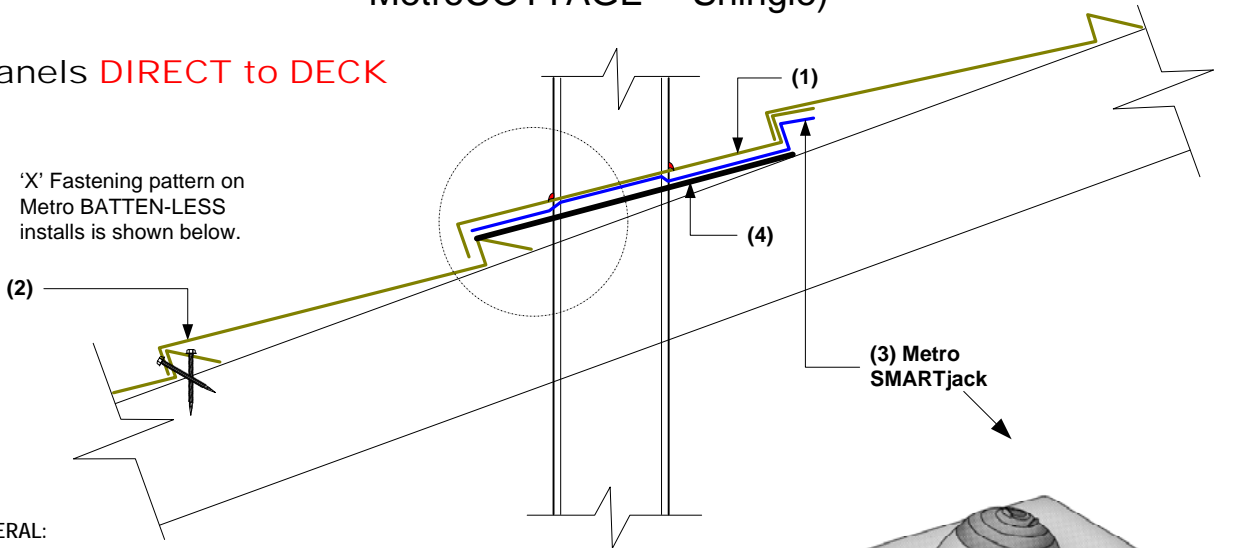
# VENT PIPE Detail

## Metro SMARTjack Sandwich Detail

**(EXPOSED Fastened Panels - MetroSHAKE®, MetroTILE®, MetroROMAN® & MetroCOTTAGE™ Shingle)**

Panels **DIRECT** to DECK

'X' Fastening pattern on Metro BATTEN-LESS installs is shown below.



**GENERAL:**

The 'Sandwich' method shown uses a Metro 'Under-Pan' to support the roof jack flashing (SMARTjack) and another Metro panel used as a 'Cover' section to further protect the roof jack (SMARTjack) flashing. This method conceals the roof jack flashing completely. The assembly is as shown.

- A) Metro 'Under-Pan' cut around pipe.
- B) Metro SMARTjack (or Vent jack) installed over pipe
- C) Metro 'Cover' panel cut tight to pipe & sealed

**(1) PANELS**

Metro Stone-Coated Steel (Galvalume® AZ-50 Steel base) panels and accessories.

**(2) FASTENERS:**

All fasteners shall be a min of 1,000-hr Salt Spray corrosion resistant to ASTM-B-117.  
 Nails – 8-d (2-3/8" X .131" dia) Ring Shank w/Super Black coating.  
 Screws - #10 X 2" Hex Head (No washer) sharp pt. wood grip type colored to match panel.

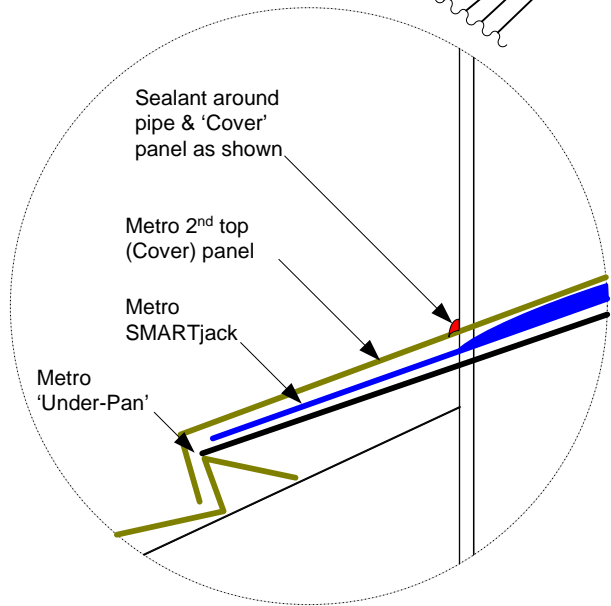
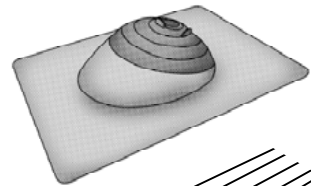
**(3) METRO SMART-jack:**

Available in two (2) sizes to fit pipes from 1-1/4" - 4" inch dia. SMART-jacks incorporate a self-sealing rubber gasket collar that eliminates the need for sealant. The entire SMART-jack is stone-coated to blend perfectly with the surrounding Metro panels. ROMAN Tile SMART-jacks have a 18" X 18" base to allow dressing to the contours of the panel.

**(4) METRO 'Under-Pan'**

These are universal and can be used with Metro Roman, Shake, Tile or Shingle panels. They are corrugated to prevent wind driven rain from flowing sideways across the base to the roof deck.

Metro 'Under-Pan'



**WARNING ! DISSIMILAR METALS – COPPER & LEAD flashings should not be used with Metro Roof Products and accessories. (Refer to Metro SMARTbrief Technical Bulletin #02004).**

|  |                      |
|--|----------------------|
| FILENAME<br>008EX-VENT-PIPE-METRO-SMART-JACK-SANDWHICH.VSD |                      |
| DATE<br>9-21-06  | REVISED<br>9/26/2014 |

**Metro Roof Products**  
 3093 'A' Industry St., Oceanside  
 CA USA 92054  
[www.metroroofs.com](http://www.metroroofs.com)