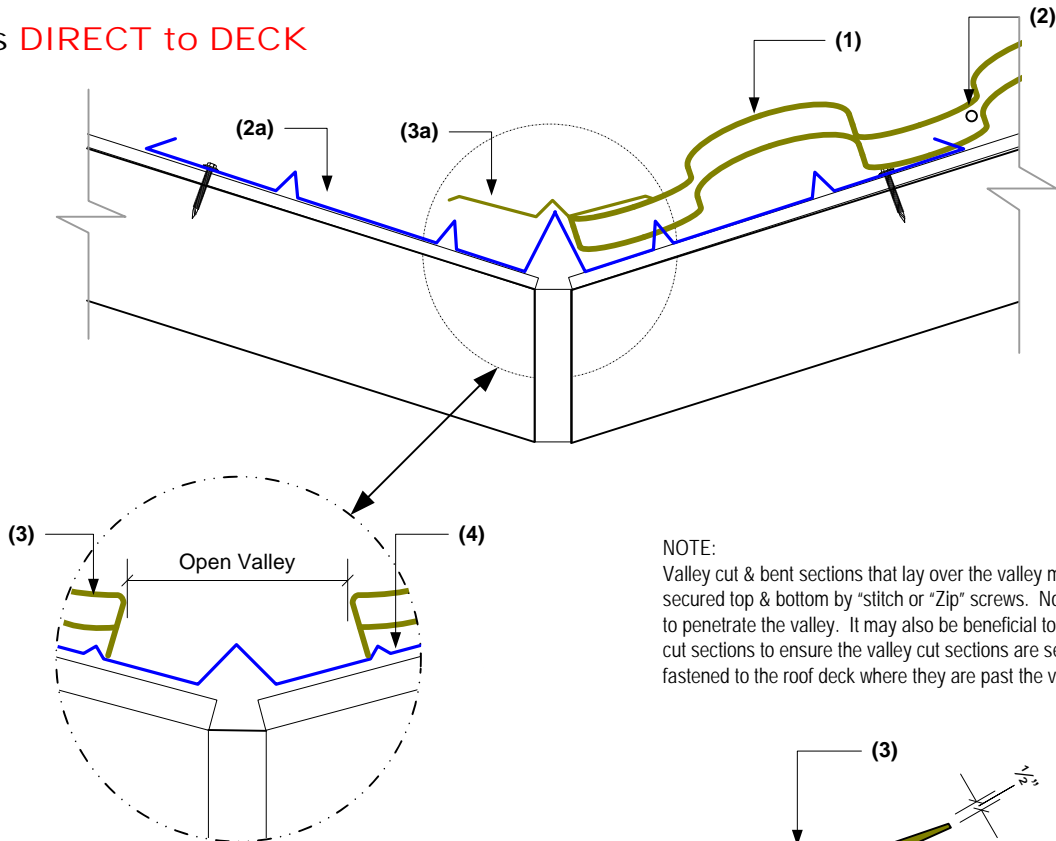


# VALLEY Detail

## Metro 20-in Dbl-V-Valley

**(EXPOSED Fastened Panels - MetroSHAKE®, MetroTILE®, MetroROMAN® & MetroCOTTAGE™ Shingle)**

Panels **DIRECT** to DECK



**NOTE:**  
Valley cut & bent sections that lay over the valley metal must be secured top & bottom by "stitch" or "Zip" screws. No fasteners are to penetrate the valley. It may also be beneficial to use long valley cut sections to ensure the valley cut sections are securely fastened to the roof deck where they are past the valley metal.

**(1) PANELS:** Metro Stone-Coated Steel (Galvalume® AZ-50 Steel base) panels and accessories.

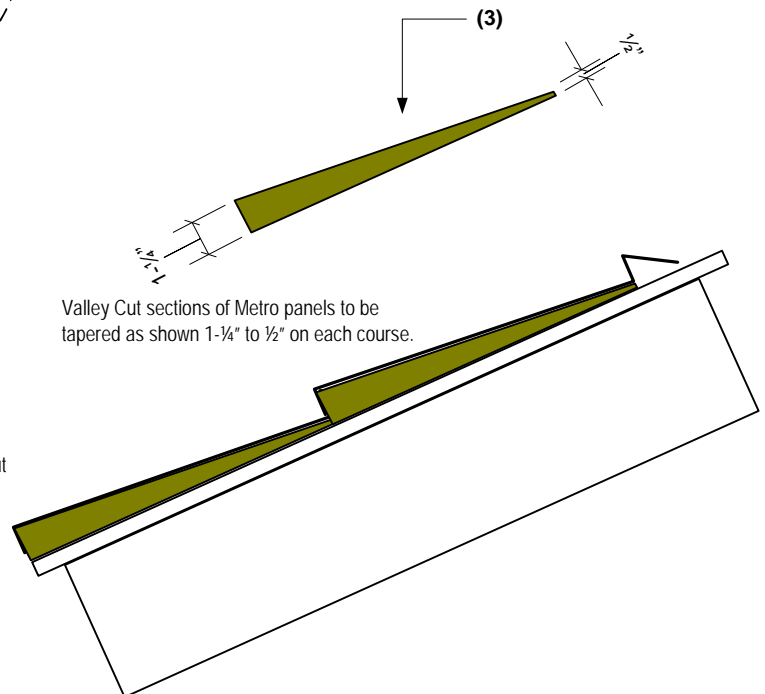
**(2) FASTENERS:** All fasteners shall be a min of 1,000-hr Salt Spray corrosion resistant to ASTM-B-117.  
Nails – 8-d (2-3/8" X .131" dia) Ring Shank w/Super Black coating.  
Screws - #10 X 2" Hex Head (No washer) sharp pt. wood grip type colored to match panel.

**(2a) VALLEY FASTENERS:** Screws - #10 X 1-1/2" Hex Head w/ Rubber Washer under a Dome Cap, sharp pt. wood grip type.

**(3) VALLEY CUT SECTIONS:** Panels intersecting with Valley are cut and bent down into the valley. It is important to ensure valley cuts fit against outer 'V' ribs as shown. The Valley Bend-Down must be tapered as shown from 1-1/4" to 1/2" on each course. If the cut is not tapered it may trap debris in the side opening between the over-lap of each course.

**(3a) VALLEY COVER:** Installed directly over the center-line of the Valley Metal as shown. Secure using "Stitch or Zip" screws that do not penetrate the valley.

**(4) VALLEY METAL:** 20" Inch Double V-Valley as shown.



Valley Cut sections of Metro panels to be tapered as shown 1-1/4" to 1/2" on each course.

FILENAME		011EX-VALLEY-20-IN-DBL-V-VALLEY-PANELS-BENT-DOWN.VSD	
DATE	9-21-06	REVISED	9/26/2014

**Metro Roof Products**  
3093 'A' Industry St., Oceanside  
CA USA 92054  
[www.metroroofs.com](http://www.metroroofs.com)