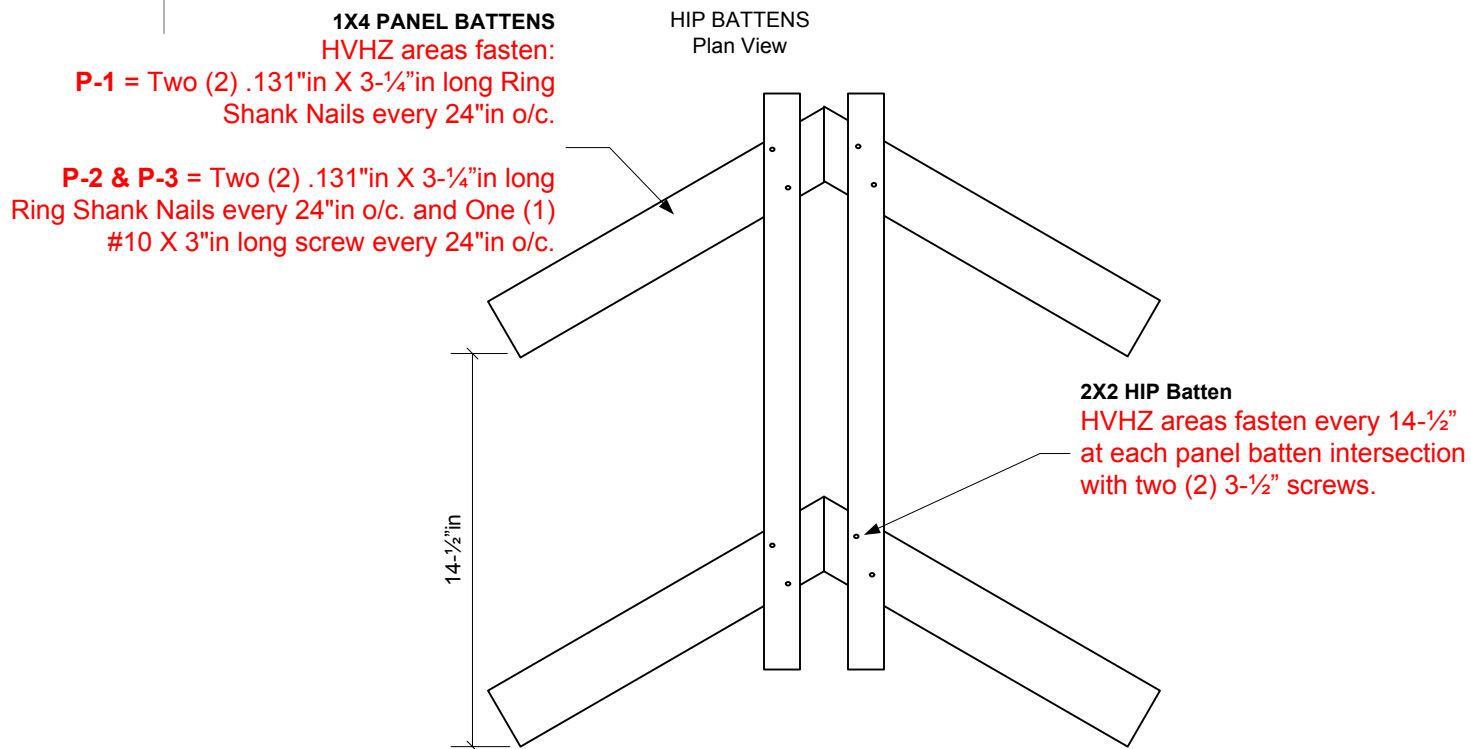
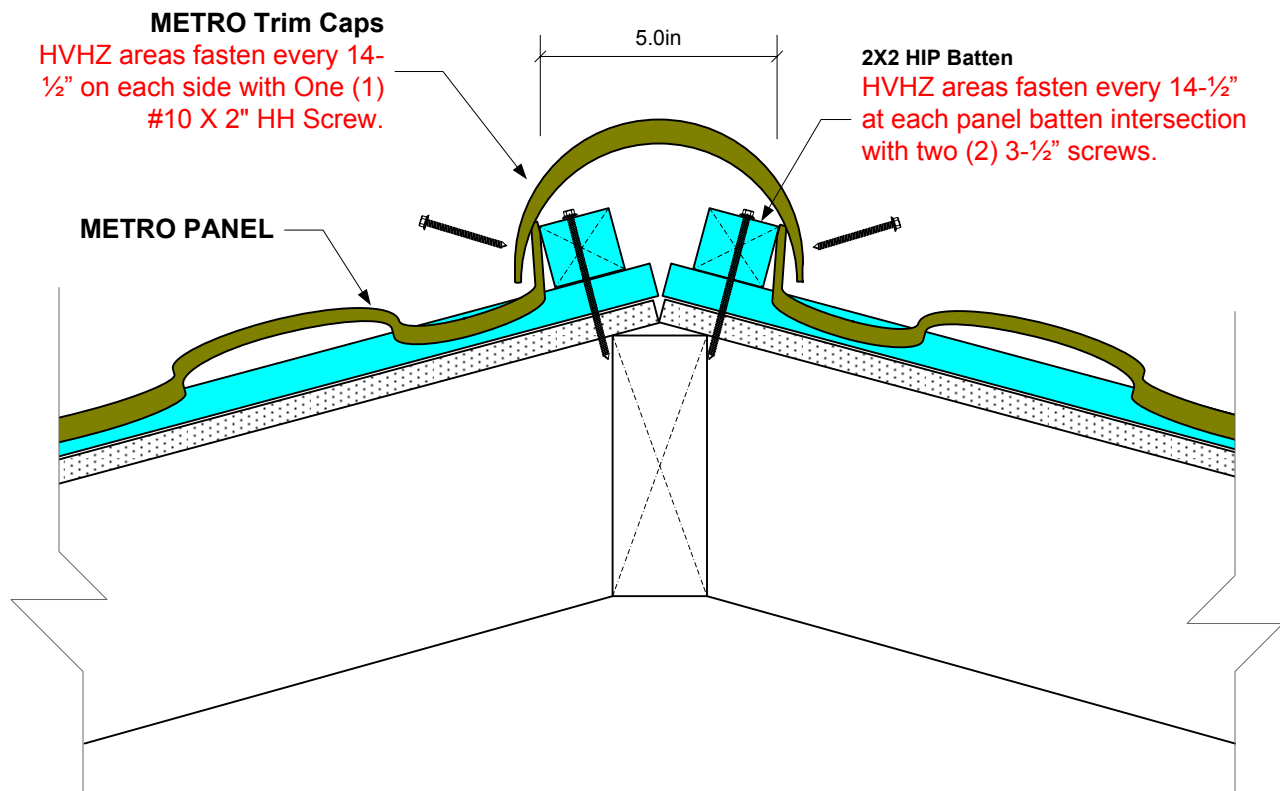


**Metro**  
**HIP 2X2 BATTENS**  
**Cross-Section detail**

**Metro Roof Products**  
 3093 'A' Industry St., Oceanside  
 CA USA 92054  
[www.metroroofs.com](http://www.metroroofs.com)



**HVHZ = High Velocity Hurricane Zone**

Refer to Metro HVHZ Florida Approvals  
 FL-698, FL-6710 for PANEL fasteners &  
 fastening pattern details.

DATE 3-13-06	REVISED 4/2/2007	FILENAME CITY OF TAMARAC FL HIPBATDETAIL.VSD
-----------------	---------------------	---